

MSK IP34D - Ground cabinet

MSK 90 100 35

Flexible splice cabinet solution – adapted for both power distribution and fibre.

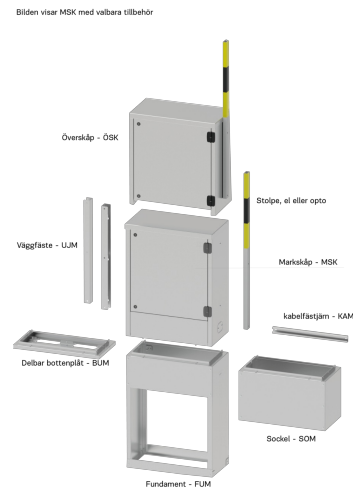
Field of application

Our customers' needs combined with our long experience have resulted in a unique and flexible solution adapted for splicing both electricity and fiber connections.

Product description

To ensure a long service life in demanding environments, our ground cabinets are manufactured in Magnelis. Flexibility is achieved by using the same frame regardless of wall, floor or ground location. The cabinet frame is expandable and can easily be supplemented with upper cabinets. Mounting plate, doors and front plate are always included as standard in the cabinets and can be easily dismantled without tools.

The doors are locked with a 90° triangular lock as standard.



More information

- Article number: 441022